

USER MANUAL

Features:

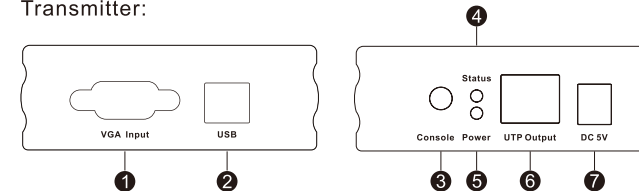
- Use single UTP cable (CAT5e/6, should follow EIA/TIA 568B standard) to substitute VGA cable to extend longer transmission distance
- Maximum transmission distance up to 300 meters with 1920*1200@60Hz resolution
- With smart brightness and contrast adjustment algorithm, easy to adjust 0~15 gain levels to match 0~300 meters UTP cable
- Smart gain control, effective for common mode noise suppression, keep high fidelity picture quality even by 300 meters transmission.
- Support EDID pass through via UTP cable, make best compliance with most display devices.
- Easy to control PC remotely with transmitting keyboard and mouse data.

Packing List:

- 1*VGA KVM extender
- 2*DC 5V adapter
- 1*User manual

Panel Description:

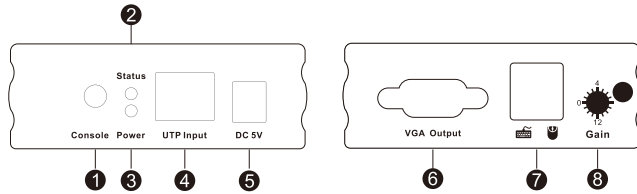
Transmitter:



ID	Name	Description
1	VGA input	Connect to computer's VGA output port
2	USB data port	Connect to computer by USB Type A to Type B cable
3	KVM switch control port (Reserved)	Reserved for control box accessory
4	LED indicator of connection status	LED will be lit if there is VGA input signal
5	Power status	LED indicator of power status
6	UTP cable connection port	Connected to Receiver by CAT5e/6 cable
7	DV 5V	5V DC power supply input

Panel Description:

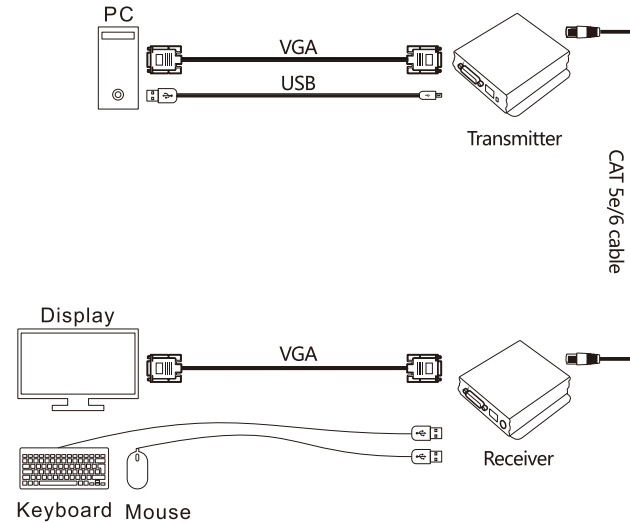
Receiver:



ID	Name	Description
1	Control box connection port (Reserved)	Reserved for control box accessory
2	LED indicator of connection status	LED will be lit if the receiver had receive signal from the transmitter
3	Power status	LED indicator of power status
4	UTP cable connection port	Connected to Transmitter by CAT5e/6 cable
5	DC 5V	5V DC power supply input
6	VGA output	Connect to VGA display
7	Keyboard and mouse input	Connect to keyboard and mouse

ID	Name	Description
8	Cable length compensation gain	Adjust the knob until you see the best quality picture (Refer to the parameters table on the back of the receiver)

Connection Diagram :



Warranty Information:

We warrant this product as free of defects in material and workmanship for a period of one (1) year from the date of shipment.

If during the period of warranty this product proves defective under normal use, we will repair or replace this product, provided that this product has not been subjected to mechanical, electrical, or other abuse or modifications. If it fails under conditions other than those covered will be repaired at the current price of parts and labor in effect at the time of repair. Such repairs are warranted for six (6) months from the day of reshipment to the buyer.