

2x1 HDMI KVM Switch

USER MANUAL

ENJOY THE VIVID WORLD

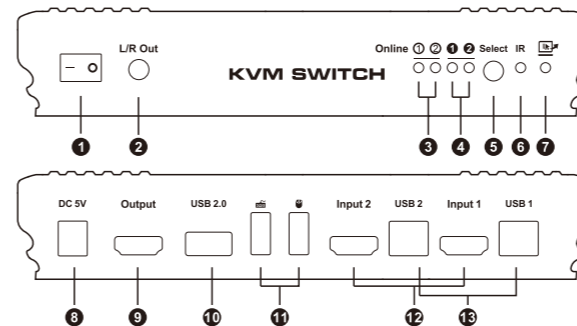
KVM-HDR

Features :

- Using only 1 set of keyboard, mouse and monitor to control 2 computers
- Support auto switching to monitor computers in a specified time interval
- Available to use keyboard and mouse without any delay after switching input sources
- Support resolution up to 3840*2160@60Hz 4:4:4
- HDCP 2.2 compliant
- Support USB 2.0 for printers, USB drives, etc
- With EDID emulators in each input port, keep PCs always having correct display information
- Support front panel buttons, IR signals, keyboard hotkeys and mouse gesture to control the KVM switch to switch inputs
- Support hot plug, connect or disconnect devices to the KVM switch at any time without turning off devices
- Support analog L/R audio output
- Support HDR 10 and Dolby Vision

Packing List :

- 1 * HDMI KVM switch
- 1 * DC 5V power adapter
- 1 * IR remote control
- 1 * User Manual

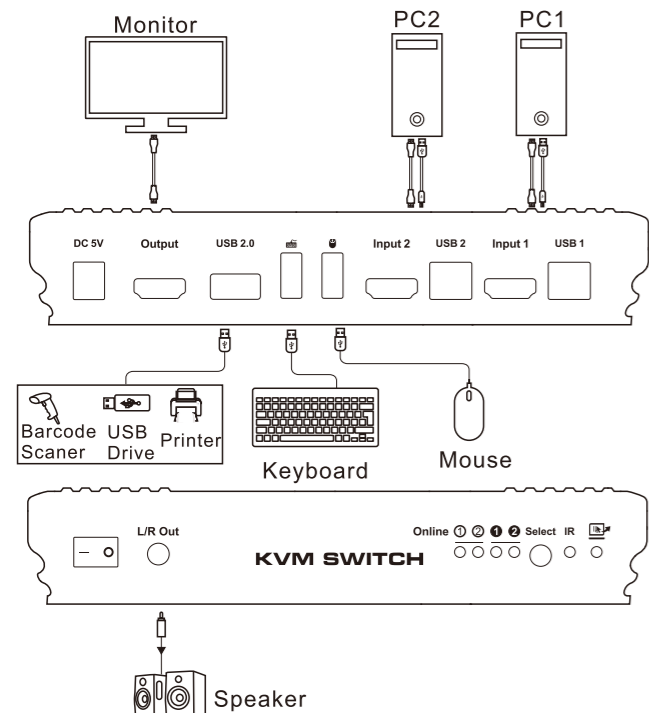
Panel Description :

ID	Name	Description
1	Power switch	Turn on or off power supply
2	L/R Out	Analog L/R audio output
3	USB connection status	LEDs will be lit if the USB data ports are connected to the computers' USB port
4	Input selection status	Indicate current selected input source
5	Input selection button	Select input sources
6	IR receiver	Receive IR remote signal

Panel Description :

ID	Name	Description
7	Fast switching mode status	LED will be lit if fast switching mode (Mouse gesture) is activated
8	DC 5V	5V DC power supply
9	HDMI output	Connect to HDMI display
10	Standard USB 2.0 port	Connect to USB 2.0 device, printers, USB drives, barcode scanner
11	Keyboard and mouse input	For USB keyboard and mouse input, including wireless keyboard and mouse
12	HDMI input	Connect to HDMI source devices
13	USB data ports	Connect to PC by USB type B to type A cable

Connection Diagram :



How To Use :

1. Set up the connection according to the connection diagram.
2. After all the PCs are started in step 1, then you can switch to any PC by keyboard hotkeys, IR signals or the buttons on the KVM front panel. (For example, if you want to control the PC connected to HDMI IN 2 just press the "Select" button on front panel, or press digit button "2" on IR remote control, or the keyboard hotkey commands described following)

How To Use Keyboard Hot Keys :

1. Hit ScrollLock key twice within 2 seconds, the buzzer will beep twice.
2. After step 1, enter following hot key commands within 3 seconds, the KVM will execute the corresponding command.

Scroll Lock + **Scroll Lock** + **Page Up** Previous port

Scroll Lock + **Scroll Lock** + **Page Down** Next port

Scroll Lock + **Scroll Lock** + **F11** Enable or disable buzzer sound

Scroll Lock + **Scroll Lock** + **1** ~ **2** Select port by number

Scroll Lock + **Scroll Lock** + **SPACE** Auto switching mode
Note: default auto switching time interval is 6 seconds, you are able to change this value by following hotkey commands:

Scroll Lock + **Scroll Lock** + **+/-** Increase or decrease auto switching time interval
Note: 1 second per step. The time is up to 250 seconds

Scroll Lock + **Scroll Lock** + **F12** Enable or disable fast switching mode (Mouse gesture mode)
 If fast switching mode is available, then double hit left or right bound of the screen with mouse pointer in 1 second, KVM will switch to previous or next input.

Known issue: Apple keyboard is not supported.

IR Remote Control :



[1]-Select input source 1

[2]-Select input source 2

Warranty Information:

We warrant this product as free of defects in material and workmanship for a period of one (1) year from the date of shipment.

If during the period of warranty this product proves defective under normal use, we will repair or replace this product, provided that this product has not been subjected to mechanical, electrical, or other abuse or modifications. If it fails under conditions other than those covered will be repaired at the current price of parts and labor in effect at the time of repair. Such repairs are warranted for six (6) months from the day of reshipment to the buyer.