

DP KVM Switch

USER MANUAL

ENJOY THE VIVID WORLD

DP · KVM

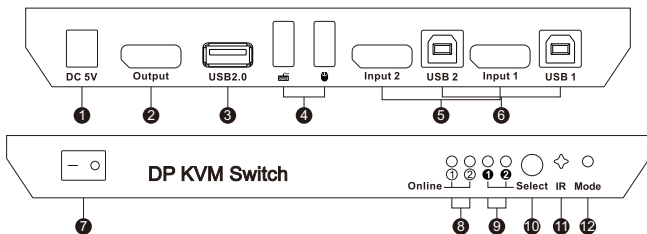
Features :

- Using only 1 set of keyboard, mouse and monitor to control 2/4 PCs
- Support resolution up to 3840*2160@60Hz
- Support hot plug, connect or disconnect devices to the KVM at any time without turning off devices
- Support auto switching to monitor computers in a specified time interval
- Support front panel button, keyboard hot keys, mouse gesture or IR remote control to control KVM to switch inputs
- Available to use keyboard and mouse without any delay after switching input sources
- With extra standard USB port, it is possible to connect barcode scanner, USB hard drive or other USB devices to KVM
- Support mouse and keyboard pass through mode to improve mouse and keyboard compatibility

Packing List :

- 1 * 2X1/4X1 DP KVM Switch
- 1 * DC 5V Power adapter
- 1 * IR Remote control
- 1 * User manual

2x1 Panel Description :

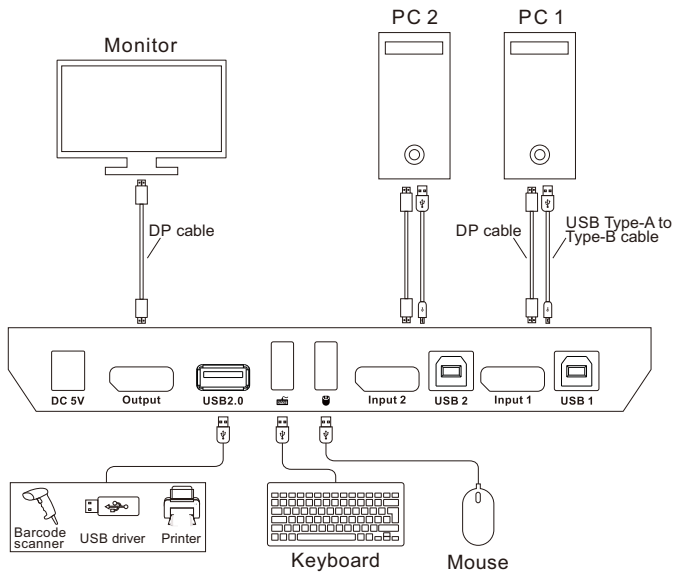


ID	Name	Description
1	DC 5V	5V DC power supply
2	Display port output	Connect to Display port display
3	Standard USB 2.0 port	Connect to USB 2.0 devices, printers, USB drives
4	Keyboard and mouse input	Connect to keyboard and mouse
5	Display port input	Connect to Display port source devices
6	USB data ports	Connect to USB ports of PC
7	Power switch	Turn on or turn off power supply

2x1 Panel Description :

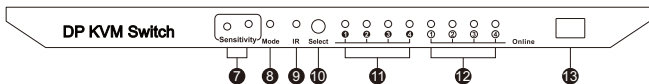
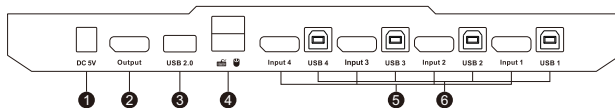
ID	Name	Description
8	USB connection status	LEDs will be lit if the USB Type B ports are connected to computers, and computers are on
9	Input selection status	Indicate current selected input source
10	Input selection button	Select input source
11	IR receiver	Receive IR remote signal
12	Mouse and keyboard pass through mode status	LED on: Working under pass through mode LED off: Working under emulated mode

2x1 Connection Diagram :



Note: The keyboard hot key is available only when the keyboard is connected to this dedicated port.

4x1 Panel Description :

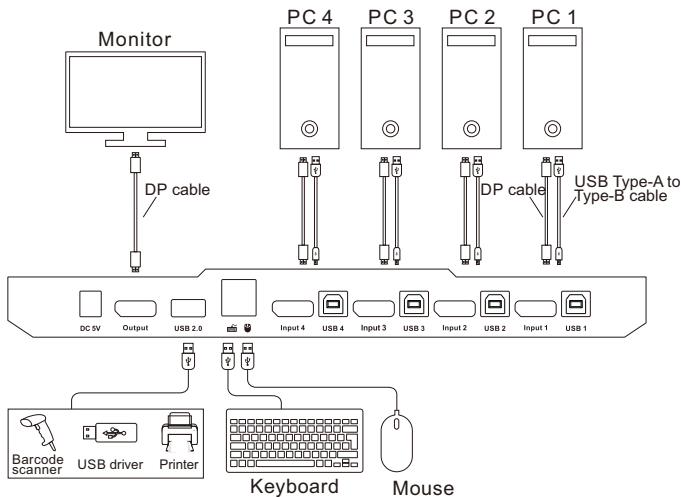


ID	Name	Description
1	DC 5V	5V DC power supply
2	Display port output	Connect to Display port display
3	Standard USB 2.0 port	Connect to USB 2.0 devices, printers, USB drives
4	Keyboard and mouse input	Connect to keyboard and mouse
5	Display port input	Connect to Diaplay port source devices
6	USB data ports	Connect to USB ports of PC

4x1 Panel Description :

ID	Name	Description
7	Mouse sensitivity adjustment button and indicator	Press the button to adjust the sensitivity of mouse movement recognition
8	Mouse and keyboard pass through mode status	LED on: Working under pass through mode LED off: Working under emulated mode
9	IR receiver	Receive IR remote signal
10	Input selection button	Select input source
11	Input selection status	Indicate current selected input source
12	USB connection status	LEDs will be lit if the USB Type B ports connect to computers, and computers are on
13	Power switch	Turn on or turn off power supply

4x1 Connection Diagram :



Note: The keyboard hot key is available only when the keyboard is connected to this dedicated port.

How To Use :

1. Setup the connection according to the connection diagram.
2. After all the PCs are started in step 1, then you can switch to any PC by keyboard hot keys, IR keys or the key pad on the KVM front panel. (For example, if you want to control the PC connected to HDMI Input 2 just press the [Select] button on front panel, or press digit button [2] on remote control, or the keyboard hotkey commands described following)

How To Use Keyboard Hot Keys:

1. Hit [Scroll Lock] key twice within 2 seconds, the buzzer will beep once when [Scroll Lock] is pressed the second time .
2. After step 1 enter following hot key commands within 3 seconds, the KVM will execute the corresponding commands.



Select previous input port



Select next input port



Select port by port number

Note: 3, 4 are for 4x1 KVM.



Enable or disable buzzer sound



Enable or disable fast switching mode (Mouse gesture mode)

If fast switching mode is activated, then double hit left or right bound of the screen with mouse pointer in 1 second, KVM will switch to previous or next input.



Turn on auto switching mode

Note: The KVM will automatically loop among all the powered on input source within a specified time interval. Default auto switching time interval is 6 seconds, you are able to change this value by following hot key commands:



Increase or decrease auto switching time interval

Note: 1 second per step, the time is up to 250 seconds.



Turn off auto switching mode

Note: Execute this hotkey command to exit auto switching mode.



Turn on/off keyboard and mouse pass through mode

Note: For the best compatibility, it is better to turn on keyboard and mouse pass through mode. In this mode, the keyboard and mouse are dynamically mapped to computer, so you are able to use special keyboard and mouse that with multimedia keys or other customized keys.

How To Change The Hot Keys Combination:

If no [Scroll Lock] key on your keyboard or the [Scroll Lock] key is used for other functionality, you can take [Right-Ctrl] hotkey instead of [Scroll Lock] key by below two ways:

1. Press front panel button [Select] until you hear the buzzer is beeping, then restart the KVM.
2. Execute hotkey command [Scroll Lock]+[Scroll Lock]+[F1] , then restart the KVM.



Switch the control hotkey to [Right-Ctrl]

After you had done either one of above, the hotkey combinations would be changed to: [Right-Ctrl]+[Right-Ctrl]+[xxx].

Note: xxx refers to keyboard key PageUp, PageDown, 1~4, F11, F12, SPACE, +/-.

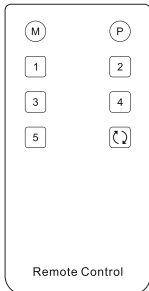
The same if you want to change the hotkey from [Right-Ctrl] to [Scroll Lock], you could do as follows:

1. Press front panel button [Select] until the buzzer is beeping, then restart the KVM.
2. Execute hotkey command: [Right-Ctrl]+[Right-Ctrl]+[F1] , then restart the KVM.



Switch the control hotkey to [Scroll Lock]

IR Remote Control:



1—Switch to input port 1

2—Switch to input port 2

3—Switch to input port 3

4—Switch to input port 4

Note: 3,4 are only available for 4x1 DP KVM switch.

Note:1. For the safety request by some express company, the remote control is not equipped battery by default.

2. Unspecified buttons at above are non-functional.

Verified keyboards and mice:

Mouse	Model	Keyboard	Model
Zkli	ZM500-5	ME TOO	Z5
FL.SPORTS	G12	Dareu	CK535
Newmen	GX1-KEPLER	Aigo	8362
Aigo	WQ-641	AJAZZ	AK35I
LDK.al	Colourful X800	Acer	KB21-2X

Note: The above list is part of the verified keyboards and mice list with special HID protocol.

Warranty Information :

We warrant this product as free of defects in material and workmanship for a period of one (1) year from the date of shipment.

If during the period of warranty this product proves defective under normal use, we will repair or replace this product, provided that this product has not been subjected to mechanical, electrical, or other abuse or modifications. If it fails under conditions other than those covered will be repaired at the current price of parts and labor in effect at the time of repair. Such repairs are warranted for six (6) months from the day of reshipment to the buyer.