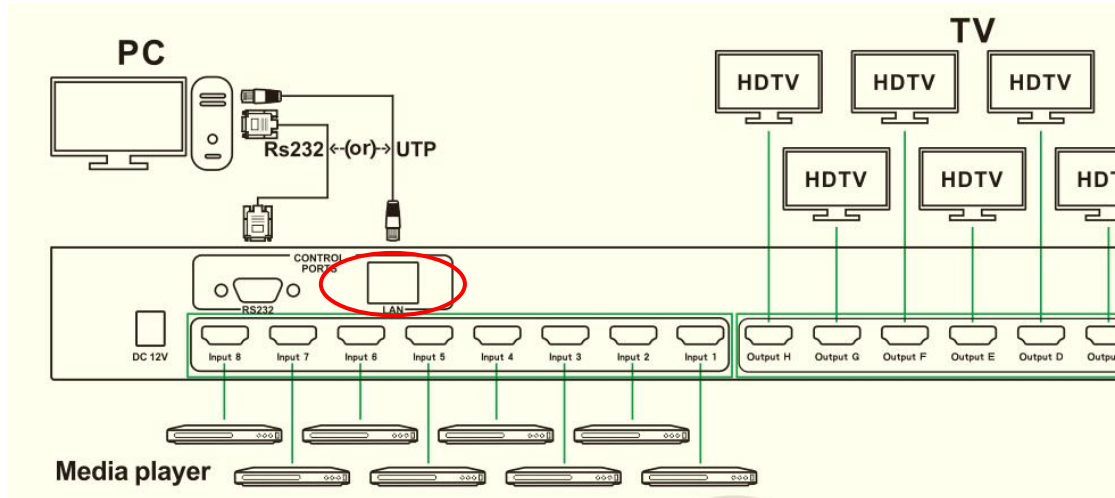


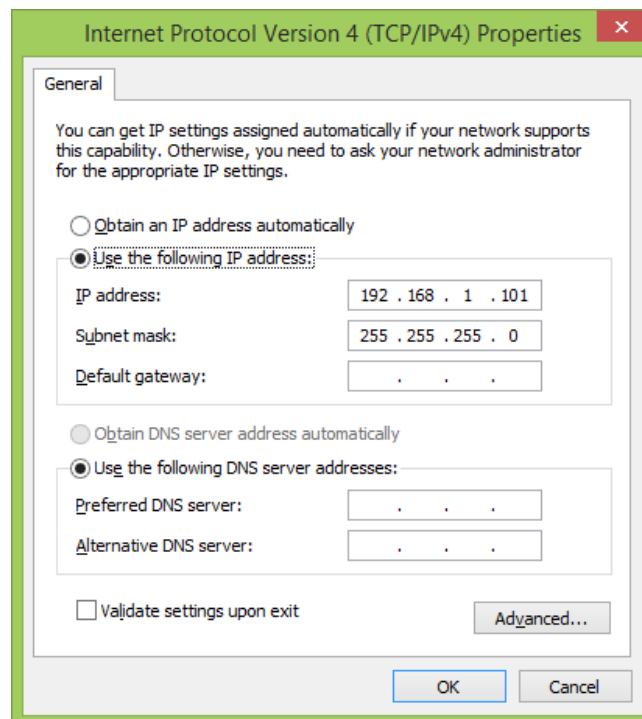
How to connect the matrix via LAN

1. Connect HDMI matrix to PC via LAN port.



2. Power on matrix.
3. Setup IP address of the PC's local area network adapter.

Normally you can find this setting on windows by this way: Control Panel → Network and Sharing Center → Change adapter settings → Right click “Local Area Network (or Ethernet)” → Select “Properties” → On “Networking” page → Select “Internet Protocol Version 4 (TCP/IPv4)” → Select “Properties”. Then you will see similar dialog as below. Change the IP settings to the same as below picture.



4. Execute application “MatrixControler.exe” on PC.

Select “General” page, Select “Network control”, enter the IP address of the matrix (Default IP address is 192.168.1.10).

5. Click button 'Connect' in network control section, the button will be changed to 'Connecting...!', please wait for seconds, if succeed, the red indicator beside the button will change to green. If failed, please check if the UTP cable is connected to the PC, the KVM is powered on and the IP address setting of the PC is correct.

